



TARGA[®] II HOLLOW FIBER CARTRIDGES

10-inch Water Ultrafiltration Cartridges

PRODUCT DESCRIPTION

Membrane Chemistry:	Proprietary Semi-Permeable Polyethersulfone
Molecular Weight Cutoff:	100,000
Housing Shell:	PVC
Fiber Support Netting:	Polypropylene/Polyethylene
Permeate Collection Tube:	PVC
Potting Material:	Proprietary Compound
Membrane Construction:	Hollow Fiber
Storage Solution:	Glycerin/Water
Regulatory Status:	Classified by UL to NSF/ANSI Standard 61 and in accordance with NSF/ANSI Standard 372

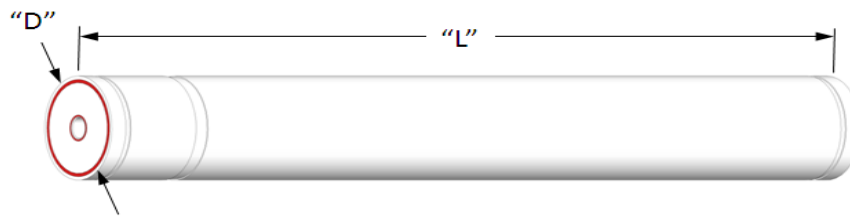
PRODUCT SPECIFICATIONS

Part Number	Model	Fiber Diameter [inch (mm)]	Membrane Area [ft ² (m ²)]	Typical Production Range [gpm (m ³ /hr)]
0720709	TARGA II 10072-35	0.035 (0.9)	871 (80.9)	24.2 - 51.4 (5.5 - 11.6)

OPERATING & DESIGN INFORMATION

Maximum Pressure (water):	45 psi (3.0 bar) @ 104° F (40° C) or less
Temperature Range:	32° F (0° C) - 104° F (40° C)
Maximum Production Transmembrane Pressure:	30 psi (2.1 bar)
Maximum Backflush Transmembrane Pressure:	25 psi (1.7 bar)
Allowable pH Range:	1.5 - 13
Maximum Total Chlorine @ 77° F (25° C) or lower:	500 ppm @ pH >10
Typical Cleaning Total Chlorine @ 77° F (25° C) or lower:	200 ppm @ pH >10
Maximum Backflush Total Chlorine @ 77° F (25° C) or lower:	50 ppm @ pH >9

NOMINAL DIMENSIONS*



Model	Fiber Diameter (ID)	D Inches (mm)	L Inches (mm)
TARGA II 10072-35	0.035 inch (0.9 mm)	10.75 (273)	72 (1829)

* Dimensions are provided for reference only and should not be interpreted as accurate specifications.

TARGA® II HOLLOW FIBER CARTRIDGES

CARTRIDGE STORAGE CONDITIONS:

New cartridges are packaged in a glycerin/water solution. The glycerin/water solution should be removed from new cartridges before their initial use with a water rinse followed by a caustic wash followed by caustic/chlorine wash. See the pre-startup cleaning instruction sheet packed with each cartridge shipment for more details. Prior to installation, cartridges should be stored in their original packaging under the following conditions:

- Indoors, out of direct sunlight.
- Temperatures between 50 – 85°F (10 – 30°C).
- Relative humidity below 70%.
- In a horizontal position.

It is best to use new cartridges within one year of shipment. Consult KMS for recommendations for longer term storage.

Used cartridges should be cleaned, rinsed and impregnated before storage with one of the following solutions:

- Glycerin @ 80 – 100% (best)
- Phosphoric acid @ pH 2 – 3
- Benzoic acid or sodium benzoate @ 1,000 ppm
- Sodium bisulfite or sodium metabisulfite @ 1,000 – 5,000 ppm

Cartridges stored in sodium bisulfite or sodium metabisulfite should be flushed with clean water and impregnated with fresh solution at six-month intervals. Once impregnated the cartridges should be left on the system with all valves closed or removed from the system and sealed in plastic bags. Storage conditions described above for new cartridges should also be used for storage of used cartridges. Cartridges must be drained, rinsed, and cleaned after storage per the pre-startup cleaning instruction sheet packed with each cartridge shipment.

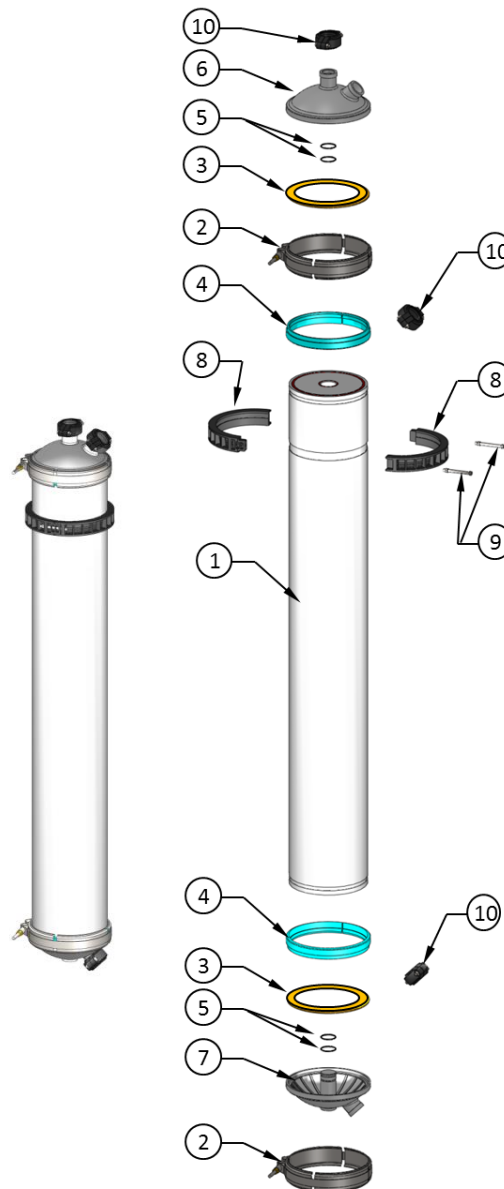
CARTRIDGE ASSEMBLY AND COMPONENTS:

Item	Description	Required for Single Permeate Removal	Required for Dual Permeate Removal
1	10" HF Cartridge	1 each	1 each
2	10" HF SS Coupling	2 each	2 each
3	10" HF Face Seal	2 each	2 each
4	10" HF K-Ring	2 each	2 each
5	Permeate O-rings	4 each	4 each
6	10" Plastic HF End Cap W Port	1 each	2 each
7	10" Plastic HF End Cap W/O Port	1 each	0 each
8	10" HF End Cartridge Support	2 each	2 each
9	10" HF Cartridge Support Hardware	2 each	2 each
10	2" Groove-End Coupling	3 each	4 each

Process pass kits for 10" cartridge are available:

10" Plastic Pass Kit for dual permeate removal - KMS part number - 1020560

10" Plastic Pass Kit for single permeate removal - KMS part number 1004913



The information contained in this publication is believed to be accurate and reliable, but is not to be construed as implying any warranty or guarantee of performance. We assume no responsibility, obligation or liability for results obtained or damages incurred through the application of the information contained herein. Refer to Standard Terms and Conditions of Sale and Performance Warranty documentation for additional information.

Koch Membrane Systems, Inc., www.kochmembrane.com

Corporate Headquarters: 850 Main Street, Wilmington, Massachusetts 01887-3388, US, Tel. Toll Free: 1-888-677-5624, Telephone: 1-978-694-7000, Fax: 1-978-657-5208

European Headquarters: Koch Chemical Technology Group Ltd., Units 3-6, Frank Foley Way, Stafford ST16 2ST, GB, Telephone: +44-178-527-2500, Fax: +44-178-522-3149

• Aachen DE • Lyon FR • Madrid ES • Milan IT • Wijnegem BE • Beijing & Shanghai CN • Mumbai & New Delhi IN • Melbourne & Sydney AU • Singapore • Sao Paulo BR • Dubai UAE •

For related patent and trademark information, visit www.kochmembrane.com/legal
 Koch Membrane Systems, Inc. is a Koch Chemical Technology Group, LLC company.
 © 2015 Koch Membrane Systems, Inc. All rights reserved worldwide.

01/15 Rev 15-1